

AIR PURIFIER

GT[®] 10APS

for the highly efficient separation of viruses, bacteria and mold with a degree of separation of 99.995% (HEPA H14) and a volume output of up to 1000 m³/h

AIR PURIFIER

FOR VIRUSES, BACTERIA & MOLD

⇒ DEGREE OF SEPARATION 99,995 %

⇒ VOLUME OUTPUT 1000 m³/h

OPTIONS:

- ✓ Activated carbon for separation of odors
- ✓ UV-C lamp for filter disinfection
- ✓ Suction/exhaust piping, e.g. jet nozzle
- ✓ Feet or rolls
- ✓ Special colors possible (RAL-colors)
- ✓ Customizable (own logo, own lettering, etc.)

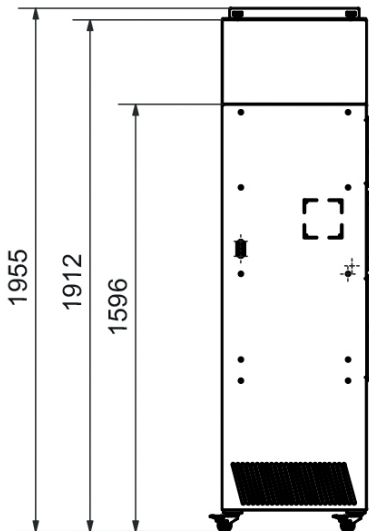
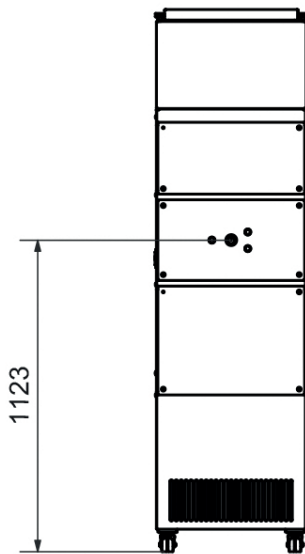
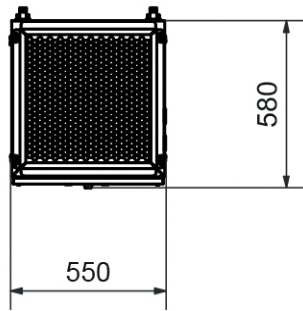
1000 m³/h**99.995 %**

FILTRATION EFFICIENCY

**MADE
IN
GERMANY****EXPERTISE IN FILTERS**

SINCE 1992

TECHNICAL DATA



GT[®] 10APS

Nominal volume flow [m³/h] **100 - 1100 m³/h**

Power [W] max. 50 - 425

Drive type infinitely adjustable

Connection [V | Hz | phases] 230 | 50 | 1

L x W x H [mm] 580 x 550 x 1955

Weight [kg] 180

Basic configuration

1. Filter stage
F7 (ePM1 60%) [m²] 2,9

2. Filter stage option:
UV-C lamp

3. Filter stage
HEPA H14 [m²] 10,8

4. Filter stage option:
active carbon

Air connection NW [mm]
(raw gas/clean gas) optional pipe
connection possible

Sound pressure level [db(A)] ca. 30-55

Filter monitoring Differential pressure
manometer or
pressure switch with
LED

*Height depends on the required noise protection measures or the respective room acoustics.